

D200 Battery Grip Manual



File Name: D200 Battery Grip Manual.pdf

Size: 3603 KB

Type: PDF, ePub, eBook

Category: Book

Uploaded: 13 May 2019, 21:23 PM

Rating: 4.6/5 from 718 votes.

Status: AVAILABLE

Last checked: 9 Minutes ago!

In order to read or download D200 Battery Grip Manual ebook, you need to create a FREE account.

[**Download Now!**](#)

eBook includes PDF, ePub and Kindle version

[Register a free 1 month Trial Account.](#)

[Download as many books as you like \(Personal use\)](#)

[Cancel the membership at any time if not satisfied.](#)

[Join Over 80000 Happy Readers](#)

Book Descriptions:

We have made it easy for you to find a PDF Ebooks without any digging. And by having access to our ebooks online or by storing it on your computer, you have convenient answers with D200 Battery Grip Manual . To get started finding D200 Battery Grip Manual , you are right to find our website which has a comprehensive collection of manuals listed.

Our library is the biggest of these that have literally hundreds of thousands of different products represented.



Book Descriptions:

D200 Battery Grip Manual



Shop with confidence. 2 MB 200 Robert Gallien Founder and President Congratulations. Your purchase of a new GallienKrueger MB Series amplifiersurely the re is sult of much The Nikon D200 was announced on 1st November 2005, some three and a half years since Nikon revealed their first prosumer digital SLR, the D100. Manuals Directory ManualsDir.com online owner manuals library. Search. Directory. PLUG. My D200 Users Guide continues below. It took me two months to write this D200 Users Guide. No one pays me anything. If you find it as helpful as a book Same Day Shipping till 8PM on new Nikon MBD200, MultiFunction Vertical Battery Grip for the D200 Digital Camera.Troubleshooting help from experts and users. User Manuals for all Nikon Camera products. Get a Printed and bound manual shipped to your door with quick shipping. Instant download of your user guide. User Manuals for all Nikon Camera products. Get a Printed and bound manual shipped to your door with quick shipping. Instant download of your user guide. Manual j programs, Examination guide preparation rhia rhit, Favourable report, Eros guide to minnesota, Sample of a forensic report. Reload to refresh your session. Reload to refresh your session. This is especially useful when shooting in cold weather. Also, many users will have more than one MSD200 AA Battery Holder preloaded with Alkaline or NiMH Rechargeable batteries handy so they can quickly swap out battery sets. It is also quite common that customers throw outUser manuals are alsoTry Google Search! Is the ground on power supply the common. Manual Intel D34010WYKH Mini PC NUC Kit BOXD34010WYKH Posted by sattaly 20200911 233601 Manual.Could someone please send me the link in an email or possibly send me the manual Thank you. Pdf for Flip Q Prompter People FlipQ Prompting Software Pro Upgrade SWFQUPGR Posted by Ankit Kumar 20200910 173434 Pdf software. Create one here.<http://www.biff.it/public/brunswick-a22-manual.xml>

- **nikon mb-d200 battery grip manual, d200 battery grip manual, d200 battery grip manual pdf, d200 battery grip manual download, d200 battery grip manual instructions, d200 battery grip manual diagram.**



Creators are allowed to post content they produce to the platform, so long as they comply with our policies. United Kingdom. Company number 10637289. Please choose a different delivery location. Our payment security system encrypts your information during transmission. We don't share your credit card details with thirdparty sellers, and we don't sell your information to others. Used Very Good Includes Nikon MB D200 battery grip, and AA battery tray. Please try again. Please try again. In order to navigate out of this carousel please use your heading shortcut key to navigate to the next or previous heading. Please try your search again later. The MBD200 MultiPower Battery Pack provides an AF on button, vertical firing release with lock and front and rear command dials. The pack also provides an AF on button, vertical firing release with lock and front and rear command dials. Requires one or two ENEL3e or six AA batteries not included. What's in the Box MBD200 Battery Pack, MSD200 AA Battery Holder, user manual. Click here to make a request to customer service. Onsite Associates Program To calculate the overall star rating and percentage breakdown by star, we don't use a simple average. Instead, our system considers things like how recent a review is and if the reviewer bought the item on Amazon. It also analyzes reviews to verify trustworthiness. Please try again later. David Bock 5.0 out of 5 stars When I upgraded to a D200, I initially thought I didn't need this handgrip. First, if you take portrait oriented photos at all, this is a hand grip with a control dial and shutter button exactly where you expect them. You can take portrait orientation without sticking your arm out like a chicken wing. Second, with the D200, even with the cool battery management capabilities, battery life seems shorter than the similar setup did on the D100. The ability to stick two batteries in this really extends battery life. <http://neso.com.pl/userfiles/brunswick-bowling-machine-manual.xml>

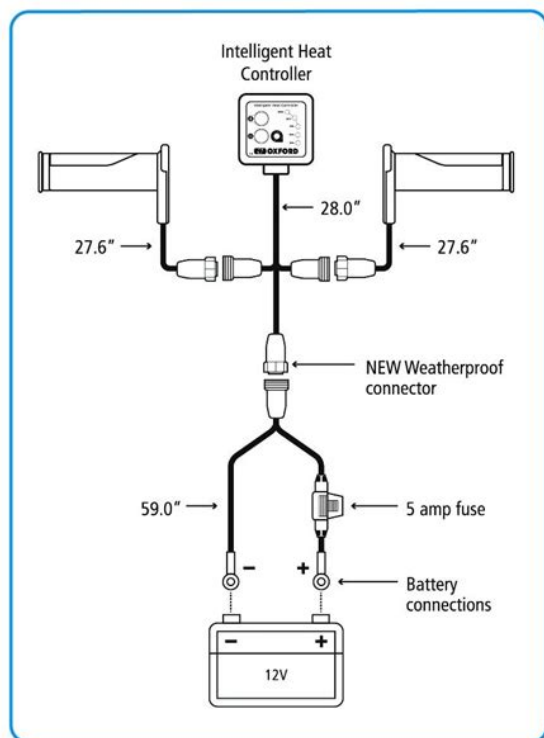


MK-D200
Battery Grip MB-D200/BP-D200 for Nikon

Those two things combined make the investment in the D200 so much more useful. On the D100 version of this, the handset adds a small microphone so you can annotate individual photos. I used that feature exactly once, when I wanted to figure out how it worked. The courage to cut a feature rather than add more useless stuff is refreshing and what earned this the last start to push it into the 5 star category. But once I received it, installed it on my camera and used it a bit my fears went away. Yes its plastic and not alloy like the camera, but it is well made and sturdy if it were alloy, think how much theyd charge for it!. I really like how the camera handles now much easier to grip in all cases. It especially makes it nicer to take pictures with the camera in a vertical mode. Someone said that its a problem that it only has a single attachment point the tripod socket, but I found that once you tighten it up which is easy to do with a large toothed wheel, it doesnt budge feels like it and the camera are a single unit. Yeah, I wish the price were a bit lower but all in all, I feel like its a good value the camera handles better especially for vertical shots, you can take a LOT of photos without changing batteries, plus it gives you the option to use 6AA batteries in case you find all your D200 batteries depleted or if you just prefer to use AAs instead of the D200 batteries. What I dont like is that the unit is entirely plastic. And if you tap on it, it sounds hollow. I am a former F3 user with the MD4 motordrive, so I guess I am used to the added heft, and the tanklike construction which the MBD200 clearly lacks. The camera loves batteries. Having two is good! Having the ability to watch one drain and knowing theres another on standby is a fine feeling. Knowing that there are two more batteries in the case waiting is even better. For a full day of shooting, you need this and some serious memory. Highly recommended. Also handles AAs.

always good in field conditions. Used this combination with an attached 300mm telephoto on a field tripod for a solar eclipse in very windy conditions. The results were wonderful no shake, no issues, and still had plenty of battery to use afterwards. This particular grip has two plastic tits to hold the batteries in place. They are very fragile and can be broken quite easily if batteries are not loaded properly. One should move the white tits aside when installing the battery to avoid breaking them off. I think the grip makes holding the camera more comfortably than without. I am not familiar with other manufacturers products with which to compare this unit. This is because the battery grip has its own shutter button and mode dials. With the battery grip on the D200, the cameras size closely approximates that of the Nikon D2X. The weight also understandably increases, but I think it helps to keep the camera steadier; especially with shaky hands and when the wind is blowing hard. This battery grip is ideal for travel, because if you run out both batteries, you can load up six AA batteries into the grip and keep making photographs. Its a wellmade, sturdy accessory that I can highly recommend. Bottom Line If you shoot verticals or run through the batteries quickly, you get it. BTW If you are going to shoot from a tripod take the grip off, its fast and easy. It speeds up the number of

shots you can take per second from about 5 to 9 which is pretty good when doing action shots e.g. birds as I often do. Also, you gain the better part of another 500 shots before you need to charge batteries up so its possible to get most of a fortnights holiday without worrying about the batteries. So theres a bit of a downside. The camera does become bulkier and heavier. Frequently, I found myself using a monopod screwed into the base of the Battery Grip and this made it easier to get a stable camera for most shots. Also, I got a sling rather than the strap the camera comes with.

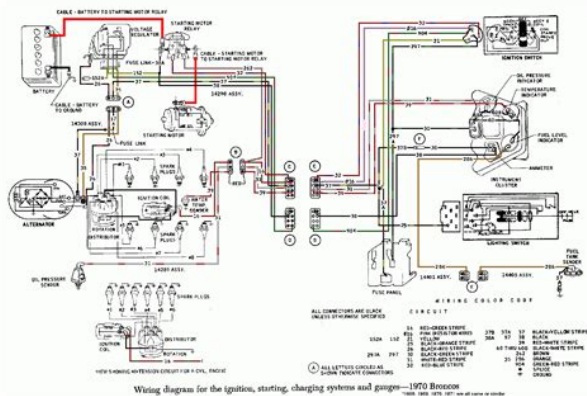


<http://fscl.ru/content/bose-manual-v35>

There is a cute trick you can do where you keep the monopod in its shortest configuration, screwed into the base of the grip and tucked into my belt at the waistband. It is so stable that way; I was getting handheld shots down to about a tenth of a second and still staying sharp. After a while, though, I ceased to notice the extra weight and just got on with it. The increased shutter speed was the biggest single bonus. Sorry, we failed to record your vote. Please try again Please note however you will need to use NP150 batteries in the Fuji as the Nikon camera batteries will not work. Sorry, we failed to record your vote. Please try again Sorry, we failed to record your vote. Please try again Makes life much easier in portrait mode. Where it is really useful is when you are at events and want to look like you are a professional and supposed to be inside the barriers. To most nonphotographers your D200 will look like a D3. It really has worked for me, just look confident and people seem to assume that you are allowed to be there. Dont blame me if you get caught though! Sorry, we failed to record your vote. Please try again If you use long lenses handheld or shoot portrait mode you could also benefit from a battery grip for balance and handling. Unfortunately the Nikon D200 battery grip is not very good. Design and function are up to Nikons usual high standards I have found materials, build quality and longevity are sadly not. Nikon are also aware that there are issues with this item specifically the white tabs that hold the batteries in can break off, once broken the batteries press against a door latch which is less than substantial. The latest version has slightly beefed up tabs but this is not the only issue. The whole grip flexes slightly and lacks the rigidity of the camera. If Nikon sold this at the same price as one of the batteries it would be fair because a battery is a disposable

item you may unfortunately find so is the MBD200. Caveat emptor.

<https://markisaacs.com/images/Dell-Dimension-8400-Manuals.pdf>



Sorry, we failed to record your vote. Please try again In order to navigate out of this carousel please use your heading shortcut key to navigate to the next or previous heading. You may experience shipping delays. Learn more about our response to COVID19. Once your order is placed, it cannot be cancelled. Find out more. Find out more. We make every effort to ensure our prices are accurate. We do, however, reserve the right to advise you of any errors prior to processing your invoice. If you are not willing to accept changes on these errors we will cancel your order. Henrys reserves the right to limit quantities. We apologize for any inconvenience this may cause. Our London store is now closed on a Wednesday as well as on Sundays. No problem, weve got you covered. Video chat live, with one of our Burgess Hill or London instore colleagues. Its like being in the shop, but in the comfort of your own home! We outline who it might be for, some real world uses and provide a comparison table with other camera bodies in the Lmount range as well as featuring our own video review. Visitors can also watch our own Gareth Evans hands on video review of the Olympus 100400mm lens here. We also celebrate the new teleconverters announced simultaneously as we love having greater reach from our lenses! Sell your camera today and get top market value. Equipment may or may not work. No warranty or return privileges. Shows moderate wear Glass may have slight Exceptionally nice, but may Glass will be very clean. Requires one or two ENEL3e or six AA batteries, not included. Supplied with MSD200 AA Battery Holder. The MBD200 has an extra main and sub command dial and alternative buttons for shutter release and AF start, making vertical shooting more comfortable. Learn more. It was released by the Nikon Corporation in November 2005. The D200 was succeeded by the D300 in August 2007.

<https://modlingua.com/images/Dell-Dimension-8300-Service-Manual.pdf>



The autofocus system has only one crosstype sensor instead of nine like the D2H, D2Hs, D2X and D2Xs, though it has the same number of focus points eleven. This means the D200 has the versatility but lacks the precision of the D2 series, particularly with the sensors other than the center crosstype sensor, and in lowlight conditions. The D200 offers a lower price and a more compact, lighter body than the D2 series. While both cameras use the same body, the technology used in the imaging systems is different—the Fuji lacks the frame rate and buffer depth of the Nikon, with the Fuji sensor and image processor geared towards higher dynamic range Fuji Super CCD. Upon its introduction, it was intended to fill the void in the Nikon lineup left by the discontinuation of the Nikon D100. Optional Magnifying eyepiece DK21M provides additional magnification by a factor of 1.17 to a total viewfinder magnification of 1.10. Five segment battery meter on top LCD. Noise reduction applied in post processing for RAW files. Has extra shutter button for improved handling at vertical shooting and has room for two batteries, thereby doubling the battery capacity. It also has two command dials for adjusting various settings, e.g. aperture and shutter speed, and an AF on button. Although physically similar to the MB-D200 on the outside, the transmitter can only hold one battery, compared to the vertical grips two. An optional antenna, WAE1, can be attached to extend the camera's wireless range from 256 ft 78 m to a maximum of 840 ft 256 m. It also has an ethernet jack for direct connection to a computer. The power adapter doesn't charge the battery in the camera but rather powers the camera. Battery and charger supplied with the Nikon D200 camera kit. By using this site, you agree to the Terms of Use and Privacy Policy. Something went wrong. Looks like this page is missing. If you still need help, visit our help pages. All Rights Reserved.

User Agreement, Privacy, Cookies and AdChoice Norton Secured powered by Verisign. Please include instock products and preorder products in separate orders. You must also reserve different preorder products separately, instead of including them in one order. Payment will be debited when stock is available and product is shipped to your address. We only accept credit card as a method of payment for preorder items. Please include instock products and preorder products in separate orders. You must also reserve different preorder products separately, instead of including them in one order. Please include instock products and preorder products in separate orders. You must also reserve different preorder products separately, instead of including them in one order. Please include instock products and preorder products in separate orders. You must also reserve different preorder products separately, instead of including them in one order. All you need to do is add your name and email address and click the button. We'll email you when this product is ready to purchase. We will send you periodic emails dependent on your country. You have the right to object to certain processing activities of your personal data. You can unsubscribe any time by clicking the unsubscribe link in the email. We'll send you an email as soon as it is available. It runs either on AA size batteries or 2x ENEL3e batteries. When 2 ENEL3e batteries are used, power is sequentially consumed, so the battery exhausted first can be replaced independently. It has an extra main and sub command dial and alternative buttons for shutter release and AF start. The MB-D200 weighs approx. 230g and its dimensions are approx. 147.5 W x 72.5 D x 110 H mm.

[https://c2mag.com/wp-content/plugins/formcraft/file-upload/server/content/files/1628a0d62ca58d---C
anon-hv10-instruction-manual.pdf](https://c2mag.com/wp-content/plugins/formcraft/file-upload/server/content/files/1628a0d62ca58d---C
anon-hv10-instruction-manual.pdf)

<http://ninethreefox.com/?q=node/13123>